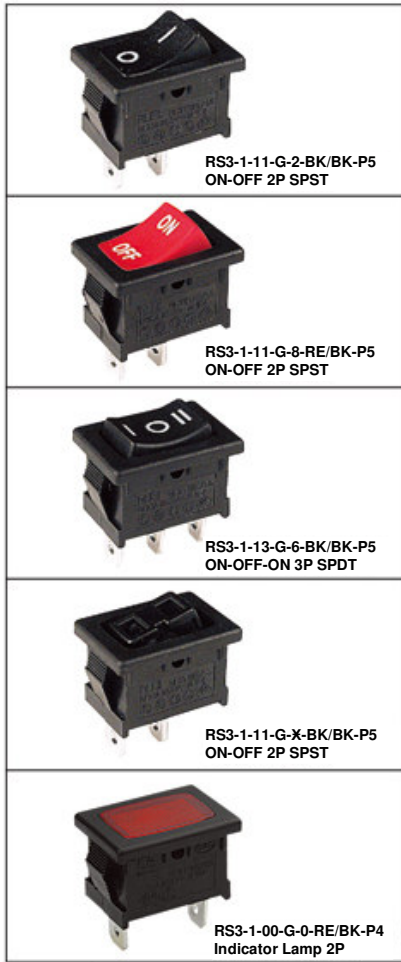


**Rocker Switch (RS3-1 Series)**

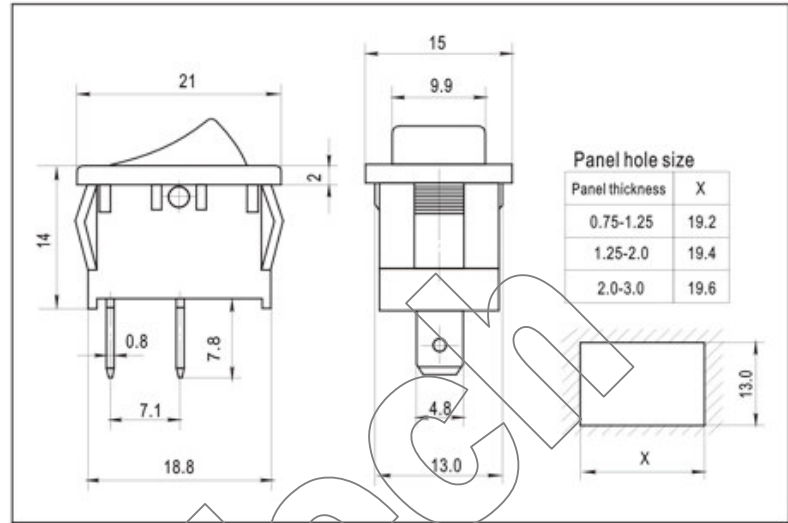


**SPECIFICATIONS**

- (G): 6 (2) A 250VAC T125/55 1E4  
10A 125VAC
- (H): 10 (4) A 250VAC T125/55 1E4  
10 (2) A 250VAC T85/55 5E4  
16A 125VAC / 10A 250VAC 1/3HP 125-25VAC



**ROHS Compliance**



EXPLANATION MODEL NUMBER

**RS3-1-11-G-2-BK/BK-P5-0**

